
CERTEST FOB+Transferrin

ONE STEP human haemoglobin
+ human transferrin COMBO
CARD TEST

CERTEST BIOTEC S.L.



For Information Only

For Information Purposes Only





CERTEST FOB+ Transferrin

One Step test to detect human haemoglobin and human transferrin in combo card format/
Prueba combo de un solo paso para detección de hemoglobina y transferrina humanas en formato cassette

ENGLISH

INTENDED USE

CerTest FOB+Transferrin one step combo card test is a coloured chromatographic immunoassay for the simultaneous semi-quantitative detection of human haemoglobin (hHb) and human transferrin (hTf) in stool samples.

CerTest FOB+Transferrin combo card test offers a simple, a highly sensitive and non-invasive screening assay to make a presumptive diagnosis of gastrointestinal bleeding.

INTRODUCTION

Colorectal cancer is the second leading cause of illness and death in the Western world. The screening using faecal occult blood tests is based on the bleeding detection, as important symptom of colonic neoplasm, either at an early-stage cancer or large adenomatous polyps. Colorectal cancer is also associated with local acute inflammatory reaction being visualized, in some cases, by white cell neutrophil scanning.

Haemoglobin is the iron-containing oxygen-transport protein in the red blood cells of all vertebrates that may be leaked into gastrointestinal tract and then discharged with the faeces in gastrointestinal bleeding diseases.

Transferrin is a blood-derived component that may be leaked into gastrointestinal tract and then discharged with the faeces in gastrointestinal bleeding diseases. Transferrin is stable in faeces and a good marker to detect loss of blood from the upper and lower intestine (gastrointestinal bleeding).

When gastrointestinal blood is lost, the stool will contain a combination of intact or nearly intact haemoglobin, intact heme, and heme-derived porphyrins in amounts that depend on the site, the amount of bleeding and the transit time through the gut. Immunochemical tests detect intact or nearly intact human haemoglobin, being a very specific technique to detect the loss of blood from the lower intestine, because blood from lower sites is less degraded during transit. The haemoglobin is unstable in faeces, leading to false negative results. The detection of faecal transferrin, which is more stable than haemoglobin, provides an alternative way of diagnosing the disease in the upper digestive tract.

TEST PRINCIPLE

CerTest FOB+Transferrin is based on the principle of a semi-quantitative immunochromatographic assay for the determination of human haemoglobin and human transferrin in stool samples.

Strip A consists of a nitrocellulose membrane pre-coated with mouse monoclonal antibodies on the test line (T), in the results window, against human haemoglobin and with rabbit polyclonal antibodies, on the control line (C), against a specific protein. The label/sample absorbent pad is sprayed with test label solution (mouse monoclonal antibodies anti-human haemoglobin) conjugated to red polystyrene latex and control label solution (specific binding protein) conjugated to green polystyrene latex, forming coloured conjugate complexes.

Strip B consists of a nitrocellulose membrane pre-coated with mouse monoclonal antibodies on the test line (T), in the results window, against human transferrin and with rabbit polyclonal antibodies, on the control line (C), against a specific protein. The label/sample absorbent pad is sprayed with test label solution (mouse monoclonal antibodies anti-human transferrin) conjugated to red polystyrene latex and control label solution (specific binding protein) conjugated to green polystyrene latex, forming coloured conjugate complexes.

If the sample is human haemoglobin positive, the antigens of the diluted sample react with the red-coloured conjugate complex (anti-human haemoglobin monoclonal antibodies-red polystyrene microspheres) in the strip A, and if the sample is human transferrin positive, the antigens of the diluted sample react with the red-coloured conjugated complex (anti-human transferrin monoclonal antibodies-red polystyrene microspheres) in strip B, which were previously pre-dried on the absorbent pad. The mixture then moves upward on the membrane by capillary action. As the sample flows through the test membrane, the binding conjugate complexes migrate. The anti-human haemoglobin antibodies present on the membrane of strip A (test line) and the anti-human transferrin antibodies present on the membrane of strip B (test line) capture the coloured conjugate and the red line will be visible in both strips. These bands are used to interpret the result.

If the sample is negative, there is no human haemoglobin and human transferrin presence and yet, the human haemoglobin and the human transferrin may be present in a concentration lower than the cut-off value, for which the reaction will not take place with any red-coloured conjugate complex. The anti-human haemoglobin and anti-human transferrin antibodies present on the membranes (test lines) will not capture the antigen-red-coloured conjugate complex (not formed), for which the red lines will not appear.

Whether the sample is positive or not, in both strips, the mixture continues to move across the membranes to the immobilized specific antibodies placed in the control lines. The anti-specific protein antibodies present on both membranes will capture control green-conjugate complex and both control lines will always appear. The presence of these green lines serve as: 1) verification that sufficient volume is added, 2) that proper flow is obtained and 3) an internal control for the reagents.





CERTEST FOB+Transferrin

One Step test to detect human haemoglobin and human transferrin in combo card format/
Prueba combo de un solo paso para detección de hemoglobina y transferrina humanas en formato cassette

STORAGE AND STABILITY

Store as packaged in the sealed pouch at 2-30°C. The test is stable until the expiration date marked on its sealed pouch. The test must remain in the sealed pouch until use. Do not freeze.

PRECAUTIONS

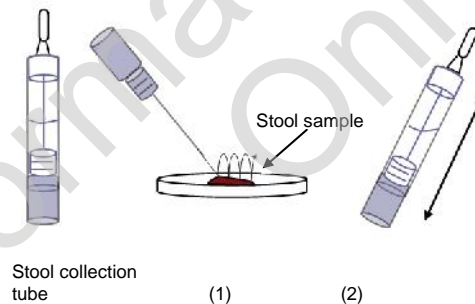
- For professional *in vitro* diagnostic use.
- Do not use after expiration date.
- All the specimens should be considered potentially hazardous and handled in the same manner as an infectious agent. A new test must be used for each sample to avoid contamination errors.
- The tests should be discarded in a proper biohazard container after testing.
- Reagents contain preservatives. Avoid any contact with skin or mucous membrane. Consult safety data sheet, available on request.
- Components provided in the kit are approved for use in the CerTest FOB+Transferrin test. Do not use any other commercial kit component.
- Follow Good Laboratory Practices, wear protective clothing, use disposal gloves, goggles and mask. Do not eat, drink or smoke in the working area.

SPECIMEN COLLECTION AND PREPARATION

Stool samples should be collected in clean containers. The samples can be stored in the refrigerator (2-8°C) for 7 days prior to testing. For longer storage, maximum 6 months, the specimen must be kept frozen at -20°C. In this case, the sample will be totally thawed and brought to room temperature before testing. Homogenise stool samples as thoroughly as possible prior to preparation.

Specimen preparation (see illustration):

1. Take out the cap of the stool collection tube and use the stick to pick up sufficient sample quantity. Then, introduce the stick once into 4 different parts of the stool sample (1), to collect faecal sample and add it to the stool collection tube. For liquid samples, add approx. 15µL in the stool collection tube using a micropipette.
2. Close the tube with the diluent and stool sample. Shake the tube in order to assure good sample dispersion (2). The stool collection tube with dilute sample can be stored for 7 days in the refrigerator (2-8°C) prior to testing.



Precautions: Patients should not collect samples during their menstrual period if they have bleeding haemorrhoids, blood in urine or if they have strained during bowel movement.

MATERIALS

MATERIALS PROVIDED

- CerTest FOB+Transferrin combo card tests
- Instructions for use
- Stool collection tubes with diluent

MATERIALS REQUIRED BUT NO PROVIDED

- Specimen collection container
- Disposable gloves
- Timer

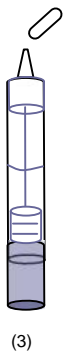
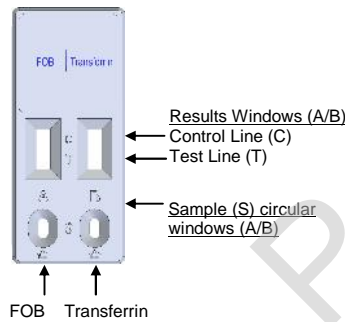


TEST PROCEDURE

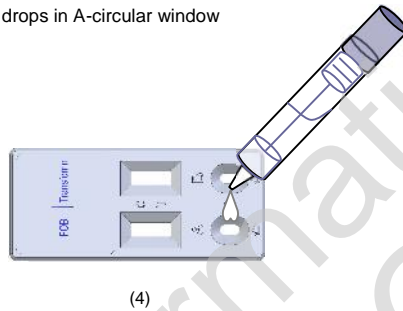
Allow tests, stool samples and controls to reach room temperature (15-30°C) prior to testing. Do not open pouches until the performance of the assay.

1. Proceed to shake the stool collection tube in order to assure good sample dispersion.
2. Remove the CerTest FOB+Transferrin combo card test from its sealed bag just before using it.
3. Take the stool collection tube, cut the end of the cap (3) and dispense 4 drops in the circular window marked with the letter A (4) and 4 drops, using the same tube, in the circular window marked with the letter B (5). Avoid adding solid particles with the liquid.
4. **Read the results at 10 minutes.** Do not read the test result later than 10 minutes.

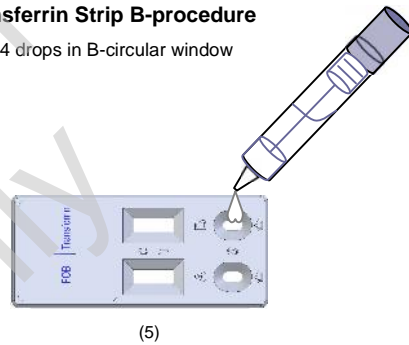
If the test does not run due to solid particles, stir the sample added in the sample window (S) with the stick. If it doesn't work, dispense a drop of diluent until seeing the liquid running through the reaction zone.



FOB Strip A-procedure
Add 4 drops in A-circular window



Transferrin Strip B-procedure
Add 4 drops in B-circular window



INTERPRETATION OF THE RESULTS (please refer to the illustration below)

1. A: Green → Negative hHb
B: Green → Negative hTf
2. A: Green/Red → Positive hHb
B: Green/Red → Positive hTf
3. A: Green/Red → Positive hHb
B: Green → Negative hTf
4. A: Green → Negative hHb
B: Green/Red → Positive hTf

INVALID RESULTS

- 5.



CERTEST FOB+ Transferrin

One Step test to detect human haemoglobin and human transferrin in combo card format/
Prueba combo de un solo paso para detección de hemoglobina y transferrina humanas en formato cassette

	A (FOB (hHb))	B (Transferrin (hTf))	Interpretation of the results
1.	-	-	There is no human haemoglobin and human transferrin presence. Haemoglobin and transferrin markers are not present in patient sample (<50ng/mL for haemoglobin and <4ng/mL for transferrin), which might mean no faecal occult blood and no gastrointestinal bleeding.
	GREEN	GREEN	
2.	+	+	There is human haemoglobin and human transferrin presence. That probably would mean a lower gastrointestinal bleeding disease (colorectal cancer). However, it should not discriminate upper gastrointestinal disease.
	GREEN-RED	GREEN-RED	
3.	+	-	There is human haemoglobin presence. That probably would mean a lower gastrointestinal bleeding disease (the concentration of human transferrin in blood is 100 times less than human haemoglobin, therefore, hHb positive means not much blood present in faeces).
	GREEN-RED	GREEN	
4.	-	+	There is human transferrin presence. That probably would mean an upper gastrointestinal bleeding disease (the human haemoglobin was probably degraded in the gastrointestinal tract).
	GREEN	GREEN- RED	
5.	Any other result	Any other result	Invalid result, either A or B, we recommend repeating the assay using the same sample with another combo card test.

INVALID: Total absence of any control coloured line (GREEN) regardless the appearance or not of the result lines (RED). Insufficient specimen volume, incorrect procedural techniques or deterioration of the reagents are mostly the main reasons for control lines failure. Review the procedure and repeat the assay with a new test. If the symptoms or situation still persist, discontinue using the test kit and contact your local distributor.

NOTES ON THE INTERPRETATION OF RESULTS

The intensity of the red coloured bands in the test lines (T) in the results windows will vary depending on the concentration of human haemoglobin and human transferrin present in the specimen.

QUALITY CONTROL

Internal procedural controls are included in the test. The green lines appearing in the control lines (C) in the results windows are internal controls, which confirm sufficient specimen volume and correct procedural technique.

LIMITATIONS

1. The test must be carried out within 2 hours after opening the sealed bag.
2. An excess of sample could cause wrong results (brown bands appear). Dilute the sample with the diluent and repeat the test.
3. The intensity of test line may vary from very strong at high human haemoglobin/transferrin concentration to faint when the human haemoglobin/human transferrin concentration is close to the cut-off value of the test.
4. CerTest FOB+Transferrin should be used only with samples from human faeces. The use of other samples has not been established. The quality of the test depends on the quality of the sample; proper faecal specimens must be obtained.
5. Positive results determine the presence of human haemoglobin and/or human transferrin in faecal samples; nevertheless, it can be due to several causes, besides colorectal bleeding, such as haemorrhoids, blood in urine or stomach irritations. A positive result should be followed up with additional diagnostic procedures to determine the exact cause and source of the blood.
6. A negative result is not meaningful because of it is possible the human haemoglobin and/or human transferrin concentration in the stool sample is lower than cut-off values. Negative results do not exclude bleeding, as some polyps and colorectal cancers may bleed intermittently or not during certain stages of the disease. Moreover, blood may not be uniformly distributed in stool samples.
7. Patients should not collect samples during their menstrual period, if they have bleeding haemorrhoids, blood in urine or if they have strained during bowel movement.

EXPECTED VALUES

Colorectal cancer affects both men and women of all racial and ethnic groups, being most often found in people aged 50 years or older. Regarding men, colorectal cancer is the third most common cancer after prostate and lung cancers. Regarding women, colorectal cancer is the third most common cancer after breast and lung cancers.

Some studies established equal or higher 5.1µg hHb/g faeces for haemoglobin and 0.4µg hTf/g faeces for transferrin as cut-off values to allow detect adult patients with gastrointestinal bleeding that will require to diagnosis additional diagnostic invasive procedures.





CERTEST FOB+Transferrin

One Step test to detect human haemoglobin and human transferrin in combo card format/
Prueba combo de un solo paso para detección de hemoglobina y transferrina humanas en formato cassette

PERFORMANCE CHARACTERISTICS

Analytical sensitivity (detection limit)

Cut-off values of CerTest FOB+Transferrin are 50ng/mL (5.1µg hHb/g faeces) for human haemoglobin and 4ng/mL (0.4µg hTf/g faeces) for human transferrin.

Clinical Sensitivity and Specificity

An evaluation, with faecal samples, was performed comparing the results obtained by an immunochromatographic test (CerTest FOB+Transferrin, CerTest) and others commercial rapid tests (ImmunoTech OcculTech, YD Diagnostics, and Human Hexagon, OBTI). The results were as follows:

IC test: CerTest FOB+Transferrin (Haemoglobin)	IC test: ImmunoTech OcculTech			Total
		+	-	
+		10	0	10
-		0	10	10
Total		10	10	20

	Sensitivity	Specificity	PPV	NPV
CerTest FOB+Transferrin (Haemoglobin) vs. ImmunoTech OcculTech	>99%	>99%	>99%	>99%

IC test: CerTest FOB+Transferrin (Transferrin)	IC test: Human Hexagon			Total
		+	-	
+		10	0	10
-		0	14	14
Total		10	14	24

	Sensitivity	Specificity	PPV	NPV
CerTest FOB+Transferrin (Transferrin) vs. Human Hexagon	>99%	>99%	>99%	>99%

The results showed a high sensitivity and specificity to detect human haemoglobin and human transferrin using CerTest FOB+Transferrin.

Cross reactivity

An evaluation was performed to determine the cross reactivity of CerTest FOB+Transferrin, no cross-reactivity against other faecal markers occasionally present in faeces:

Bovine and pig haemoglobin	Human haemoglobin (Strip B)
Bovina and pig transferrin	Human lactoferrin
Human calprotectin	Human transferrin (Strip A)

No special diet is recommended prior to testing. There are not interferences with any foods (vitamin C, broccoli, carrots...).





CERTEST FOB+ Transferrin

One Step test for detection of human haemoglobin and human transferrin in combo card format/
Prueba combo de un solo paso para detección de hemoglobina y transferrina humanas en formato cassette

ESPAÑOL

USO PREVISTO

CerTest FOB+Transferrin combo card test es una prueba inmunocromatográfica de un solo paso para la detección semi-cuantitativa simultánea de hemoglobina humana (hHb) y transferrina humana (hTf) en muestras de heces.

CerTest FOB+Transferrin combo card test ofrece un ensayo de cribado sencillo, de alta sensibilidad y no invasivo para realizar un diagnóstico presuntivo de un posible sangrado gastrointestinal.

INTRODUCCIÓN

El cáncer colo-rectal es la segunda causa principal de enfermedad y muerte en el mundo occidental. Los tests de sangre oculta en heces se utilizan principalmente para diagnosticar neoplasmas colónicos, como el cáncer en su fase inicial y algunos pólipos adenomatosos que sangran y pueden detectarse por este tipo de test. El cáncer colorrectal también está asociado con una reacción inflamatoria local y aguda que en algunos casos puede determinarse mediante la detección de neutrófilos (glóbulos blancos).

La hemoglobina es una proteína de los glóbulos rojos que contiene hierro y cuya función es transportar el oxígeno en todos los vertebrados. Puede ser liberada en el tracto gastrointestinal y eliminada a través de las heces, en las enfermedades asociadas a un sangrado gastrointestinal.

La transferrina es un componente derivado de la sangre que puede llegar al tracto gastrointestinal y eliminarse mediante las heces, provocado por algunas enfermedades gastrointestinales con pérdida de sangre. La transferrina es estable en las heces y es un buen marcador para detectar pérdidas de sangre en la zona alta y baja del intestino (en sangrado gastrointestinal).

Cuando se elimina sangre gastrointestinal, las heces contienen una mezcla de hemoglobina no degradada o poco degradada, grupos hemo, y porfirina hemo-derivada en cantidades que dependen del lugar, de la cantidad de sangrado y del tiempo de tránsito a través del intestino. Los tests inmunocromatográficos detectan hemoglobina humana no degradada o casi intacta, siendo una técnica muy específica para detectar pérdidas de sangre producidas en la parte final del intestino, ya que la sangre procedente de este lugar sufre menor degradación durante su tránsito. La hemoglobina es inestable en heces, provocando falsos negativos. La detección de transferrina "fecal", la cual es más estable que la hemoglobina, proporciona una forma alternativa para diagnosticar enfermedades localizadas en la parte alta del tracto digestivo.

FUNDAMENTO DEL TEST

CerTest FOB+Transferrin es una prueba semi-cuantitativa inmunocromatográfica para la determinación de hemoglobina y transferrina humanas en muestras de heces.

Tira A consiste en una membrana de nitrocelulosa fijada previamente con anticuerpos monoclonales de ratón frente a hemoglobina humana en la línea de test (T), en la ventana de resultados, y en la línea de control (C), con anticuerpos policlonales de conejo frente a una proteína específica. En el material absorbente para la muestra se ha dispensado una preparación de reactivos para la línea de test (anticuerpos monoclonales de ratón frente a hemoglobina humana) conjugada con látex de poliestireno rojo y otra preparación para la línea de control (proteína específica de unión) conjugada con látex de poliestireno verde, formando dos complejos coloreados conjugados.

Tira B consiste en una membrana de nitrocelulosa fijada previamente con anticuerpos monoclonales de ratón frente a transferrina humana en la línea de test (T), de la ventana de resultados, y en la línea de control (C), con anticuerpos policlonales de conejo frente a una proteína específica. En el material absorbente para la muestra se ha dispensado una preparación de reactivos para la línea de test (anticuerpos monoclonales de ratón frente a transferrina humana) conjugada con látex de poliestireno rojo y otra preparación para la línea de control (proteína específica de unión) conjugada con látex de poliestireno verde, formando dos complejos coloreados conjugados.

Si la muestra es hemoglobina humana positiva, los antígenos de la muestra diluida reaccionan con el complejo conjugado coloreado rojo (anticuerpos monoclonales anti-hemoglobina-microesferas rojas de látex) en la tira A, y si la muestra es transferrina humana positiva, los antígenos de la muestra diluida reaccionan con el complejo conjugado coloreado rojo (anticuerpos monoclonales anti-transferrina humana-microesferas rojo de látex) en la tira B, los cuales fueron secados previamente en el material absorbente. Esta mezcla avanza por capilaridad a través de la membrana. Conforme la muestra va migrando también lo hacen los complejos conjugados. Los anticuerpos anti-hemoglobina humana presentes en la membrana de la tira A (línea de test) y los anticuerpos anti-transferrina humana presentes en la membrana de la tira B (línea de test) capturarán el complejo coloreado del test y la línea roja aparecerá en ambas tiras. Estas líneas se usarán para interpretación del resultado.

Si la muestra es negativa, no hay presencia de hemoglobina y transferrina humanas o los antígenos están presentes en una concentración inferior al valor de cut-off y no se produce reacción con ningún complejo coloreado rojo. Los anticuerpos anti-hemoglobina humana y anti-transferrina humana presentes en las membranas (líneas de test) no capturarán el antígeno-complejo coloreado rojo (no formado) y no aparecerán las líneas rojas.



Independientemente de que la muestra sea positiva o no, en ambas tiras, la mezcla continuará moviéndose a través de las membranas hacia los anticuerpos inmovilizados frente a la proteína específica localizados en las líneas de control. Estos anticuerpos anti-proteína específica presentes en ambas membranas capturarán el complejo conjugado de control y las líneas de control verdes siempre aparecerán. La aparición de estas líneas se utiliza: 1) para verificar que se ha añadido el volumen de muestra suficiente, 2) que el flujo ha sido apropiado y 3) como control interno de los reactivos.

CONDICIONES DE ALMACENAMIENTO

El producto debe ser almacenado entre 2 y 30°C en su envase original sellado, para conseguir un óptimo funcionamiento hasta la fecha de caducidad impresa en el envase. No debe abrirse hasta el momento de su uso. No congelar.

PRECAUCIONES

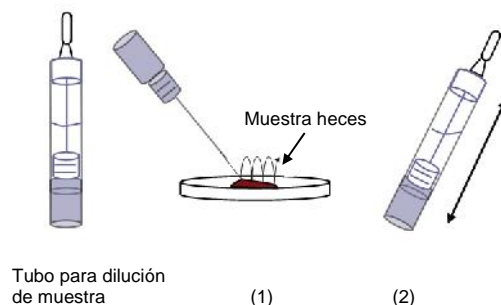
- Sólo para uso profesional *in vitro*.
- No utilizar después de la fecha de caducidad.
- Las muestras se deben considerar potencialmente peligrosas y deben ser manipuladas de la misma forma que a un agente infeccioso. Un nuevo test deberá utilizarse para cada muestra para evitar errores de contaminación.
- Los tests usados deben ser gestionados como residuos sanitarios (contenedor de residuos sanitarios).
- Los reactivos contienen conservantes. Debe evitarse cualquier contacto con la piel o las mucosas. Consultar fichas de seguridad, disponibles bajo petición.
- Los componentes proporcionados con el kit son aprobados para su uso con CerTest FOB+Transferrin test. No se deben usar con componentes de otros kits comercializados.
- Seguir las Buenas Prácticas de Laboratorio, llevar ropa de protección adecuada, usar guantes desechables, gafas de protección y mascarilla. No comer, ni beber o fumar en la zona de trabajo.

RECOGIDA DE MUESTRAS Y PREPARACIÓN

Las muestras deben ser recogidas en un recipiente limpio. Las muestras se deben conservar en frío (2-8°C), máximo durante 7 días, hasta el momento de utilizarlas. Para conservar las muestras durante un tiempo prolongado, como máximo 6 meses, deben mantenerse congeladas a -20°C. En este caso, la muestra debe descongelarse totalmente y alcanzar la temperatura ambiente para poder utilizarla en la prueba. Homogeneizar la muestra vigorosamente antes de su preparación.

Preparación de la muestra (ver dibujo):

1. Abrir el tubo para dilución de muestra y con ayuda del palito tomar suficiente cantidad de muestra de las heces recogidas. Para ello se introducirá el palito una sola vez en 4 zonas distintas de la muestra (1), tomando una cantidad de heces y posteriormente se introducirá la muestra en el tubo para dilución de muestra. Para muestras líquidas, añada aprox. 15µL en el tubo para dilución de muestra utilizando una micropipeta.
2. Cerrar el tubo que contiene la muestra y el diluyente. Agitarlo para facilitar la dispersión de la muestra (2). Este tubo que contiene la muestra diluida puede conservarse en frío (2-8°C) durante 7 días antes de realizar la prueba.



Precauciones: No se deben obtener muestras de pacientes durante su periodo menstrual, si presentan hemorroides sangrantes, sangre en orina o estreñimiento.

MATERIALES

MATERIALES SUMINISTRADOS

- CerTest FOB+Transferrin combo card tests
- Instrucciones de uso
- Tubos para dilución de muestra con diluyente

MATERIALES NECESARIOS NO SUMINISTRADOS

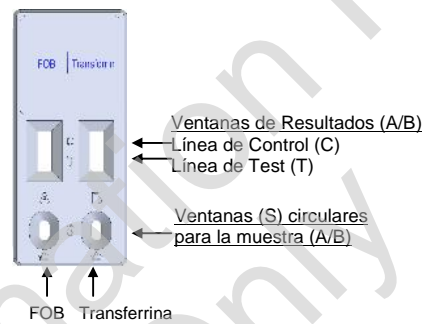
- Recipiente para recogida de muestras
- Guantes desechables
- Cronómetro

PROCEDIMIENTO

Previamente los test, las muestras de heces y los controles se deben acondicionar a la temperatura ambiente (15-30°C). No abrir los envases hasta el momento de la prueba.

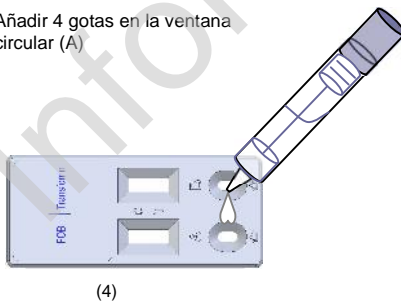
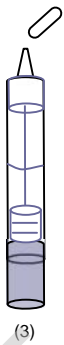
1. Agitar el tubo para dilución de la muestra para asegurar una buena dispersión.
2. Sacar el test CerTest FOB+Transferrin de su envase antes de utilizarlo.
3. Tomar el tubo de dilución de muestra, cortar la punta del tapón (3) y añadir 4 gotas del líquido en la ventana circular marcada con la letra A (4), y añadir 4 gotas, con el mismo tubo, en la ventana circular marcada con la letra B (5) evitando añadir partículas sólidas con el líquido.
4. **Leer el resultado a los 10 minutos.** No leer el resultado superados los 10 minutos.

Si se da el caso de que el test no funciona debido a la presencia de partículas sólidas, agitar con el palito la muestra en la ventana (S). Si no funciona, añadir una gota de diluyente hasta que se vea avanzar el líquido por la zona de resultados.



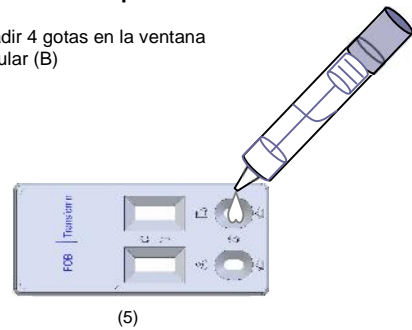
Procedimiento para la tira A de FOB

Añadir 4 gotas en la ventana circular (A)



Procedimiento para la tira B de Transferrina

Añadir 4 gotas en la ventana circular (B)

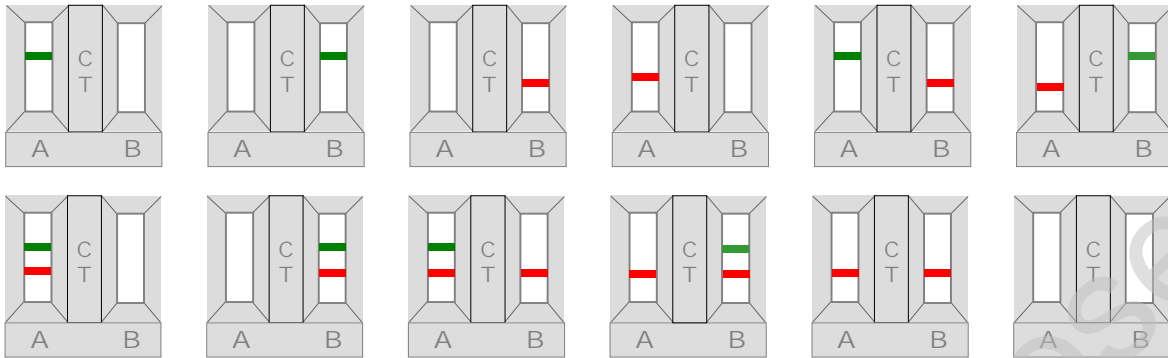


INTERPRETACIÓN DE RESULTADOS (por favor, fíjese en el siguiente dibujo)

1. A: Verde → Negativo hHb
B: Verde → Negativo hTf
2. A: Verde/Rojo → Positivo hHb
B: Verde/Rojo → Positivo hTf
3. A: Verde/Rojo → Positivo hHb
B: Verde → Negativo hTf
4. A: Verde → Negativo hHb
B: Verde/Rojo → Positivo hTf

RESULTADOS INVÁLIDOS

5.



	A (FOB (hHb))	B (Transferrina (hTf))	Interpretación de los resultados
1.	- VERDE	- VERDE	No hay presencia de hemoglobina ni de transferrina humanas. Los marcadores hemoglobina y transferrina humanas no están presentes en la muestra del paciente (<50ng/mL para hemoglobina y <4ng/mL para transferrina), puede significar que no hay sangrado gastrointestinal, no hay sangre oculta en heces.
2.	+ VERDE-ROJO	+ VERDE-ROJO	Hay presencia de hemoglobina y transferrina humanas. Probablemente implique una enfermedad gastrointestinal con pérdida de sangre en la parte inferior del tracto (cáncer colorectal). Sin embargo, no se debería descartar un problema en el tracto superior.
3.	+ VERDE-ROJO	- VERDE	Hay presencia de hemoglobina humana. Esto puede indicar una enfermedad gastrointestinal con pérdida de sangre en la zona inferior del tracto (la concentración de transferrina humana en sangre es 100 veces menos que de la hemoglobina humana, por lo que, Hb positivo implica que no hay mucha presencia de sangre en las heces).
4.	- VERDE	+ VERDE-ROJO	Hay presencia de transferrina humana. Esto puede indicar una enfermedad gastrointestinal con pérdida de sangre en la zona superior del tracto (la hemoglobina humana probablemente se haya degradado durante su paso por el tracto gastrointestinal).
5.	Cualquier otro resultado	Cualquier otro resultado	Resultado inválido, en A o en B, se recomienda repetir la prueba con la misma muestra y otro test.

INVÁLIDO: Cuando alguna línea de control (VERDE) no aparece, independientemente de que aparezcan o no las líneas de test (ROJA). Las causas más comunes por las que puede aparecer un resultado inválido son: un volumen insuficiente de muestra, una forma de proceder incorrecta o un deterioro de los reactivos. Si ocurriera esto, debe revisar el procedimiento y repetir la prueba con un nuevo test. Si los síntomas o la situación persisten, debe dejar de utilizar la prueba y contactar con su distribuidor.

OBSERVACIONES

La intensidad de las líneas de color rojo en la línea de test (T) en la ventana de resultados variará dependiendo de la concentración de hemoglobina y transferrina humanas presente en la muestra.

CONTROL DE CALIDAD

Los controles internos de funcionamiento vienen incluidos en la prueba. Las líneas verdes que aparecen en las líneas de control (C) en las ventanas de resultados son los controles internos del proceso, comprobando que el volumen de muestra es suficiente y que el procedimiento seguido ha sido el adecuado.

LIMITACIONES

1. Una vez abierto, el test no debe usarse después de 2 horas.
2. Un exceso de muestra de heces puede dar resultados erróneos, dando líneas no muy definidas de color pardo, que no tienen ningún valor diagnóstico. Diluir la muestra con el diluyente y repetir el test.



CERTEST FOB+Transferrin

One Step test for detection of human haemoglobin and human transferrin in combo card format/
Prueba combo de un solo paso para detección de hemoglobina y transferrina humanas en formato cassette

- La intensidad de la línea de test puede variar desde muy fuerte a alta concentración de hemoglobina/transferrina humana a débil cuando la concentración de hemoglobina/transferrina humana está cerca del valor de cut-off del test.
- CerTest FOB+Transferrin debería utilizarse sólo con muestras de heces humanas. El uso de otras muestras no ha sido determinado. La calidad del test depende de la calidad de la muestra; por lo que se debe realizar una adecuada toma de muestras fecales.
- Los resultados positivos determinan la presencia de hemoglobina y/o transferrina humanas en muestras de heces; sin embargo, ésta puede ser debida a varias causas, como hemorroides, sangre en orina o irritaciones estomacales. Un resultado positivo debería ser contrastado con otras técnicas diagnósticas para determinar la fuente y la causa de la presencia de sangre en la muestra de heces.
- Un resultado negativo no se debe considerar como concluyente, puede darse que la concentración de hemoglobina y/o transferrina humanas en la muestra sea inferior a los valores de cut-off. Los resultados negativos no excluyen las hemorragias causadas por algunos pólipos ni el cáncer colorrectal, ya que pueden provocar hemorragias de forma intermitente o no provocarlas durante alguna fase de la enfermedad. Además, la sangre podría no haberse distribuido de manera uniforme en la muestra de heces.
- No se deben obtener muestras de pacientes durante su periodo menstrual, si presentan hemorroides sangrantes, sangre en orina o estreñimiento.

VALORES ESPERADOS

El cáncer colorrectal afecta tanto a hombres como a mujeres pertenecientes a todos los grupos raciales, aunque con mayor incidencia en personas a partir de los 50 años y en ancianos. En los hombres, supone la tercera causa más común de cáncer tras el de próstata y pulmón. En las mujeres, el cáncer colorrectal es la tercera causa de cáncer tras el de mama y pulmón.

En varios estudios se ha determinado que el valor de cut-off de hemoglobina sea de 5.1µg hHb/g heces y de transferrina 0.4µg hTf/g heces para permitir detectar pacientes adultos con sangrado gastrointestinal que requerirán para su diagnóstico un procedimiento adicional invasivo.

CARACTERÍSTICAS DEL TEST

Sensibilidad analítica

Los valores de cut-off de CerTest FOB+Transferrin son 50ng/mL (5.1µg hHb/g heces) para hemoglobina humana y 4ng/mL (0.4µg hTf/g heces) para transferrina humana.

Sensibilidad y especificidad clínica

Se llevó a cabo una evaluación, con muestras de heces, comparando los resultados obtenidos por un test inmunocromatográfico (CerTest FOB+Transferrin, CerTest) y otros tests comercializados (ImmunoTech OcculTech, YD Diagnostics, y Human Hexagon, OBTI). Los resultados se muestran a continuación:

		IC test: ImmunoTech OcculTech		
		+	-	Total
IC test: CerTest FOB+Transferrin (Hemoglobina)	+	10	0	10
	-	0	10	10
	Total	10	10	20

	Sensibilidad	Especificidad	VPP	VPN
CerTest FOB+Transferrin (Hemoglobina) vs. ImmunoTech OcculTech	>99%	>99%	>99%	>99%

		IC test: Human Hexagon		
		+	-	Total
IC test: CerTest FOB+Transferrin (Transferrin)	+	10	0	10
	-	0	14	14
	Total	10	14	24





CERTEST FOB+Transferrin

One Step test for detection of human haemoglobin and human transferrin in combo card format/
Prueba combo de un solo paso para detección de hemoglobina y transferrina humanas en formato cassette

	Sensibilidad	Especificidad	VPP	VPN
CerTest FOB+Transferrin (Transferrin) vs. Human Hexagon	>99%	>99%	>99%	>99%

Los resultados mostraron que CerTest FOB+Transferrin presenta una alta sensibilidad y especificidad para detectar hemoglobina y transferrina humanas.

Reacciones cruzadas

Se realizó una evaluación para determinar posibles reacciones cruzadas del test CerTest FOB+Transferrin; no se detectó reacción cruzada con otros marcadores fecales ocasionalmente presentes en las heces:

Calprotectina humana	Lactoferrina humana
Hemoglobina de bobino y cerdo	Transferrina de bobino y cerdo
Hemoglobina humana (Tira B)	Transferrina humana (Tira A)

No se recomienda ninguna dieta especial antes de la prueba. No hay interferencias con ningún alimento (vitamina C, brócoli, zanahorias...).

REFERENCES/BIBLIOGRAFÍA

1. Towler BP, Irwig L, Glasziou P, Weller D, Kewenter J. "Screening for colorectal cancer using the faecal occult blood test, Hemocult". Cochrane Database Syst Rev. 2000;(2): CD001216.
2. Ransohoff DF and Lang CA. "Screening for colorectal cancer with the Fecal Occult Blood Test: a background paper. Ann Intern Med". 1997; 126: 811-822.
3. Ransohoff DF and Lang CA. "Suggested technique for Faecal Occult Blood testing and interpretation in colorectal cancer screening". Ann Intern Med. 1997; 126: 808-810.
4. Chien-Hua Chiang et al., "A Comparative Study of Three Fecal Occult Blood Test in Upper Gastrointestinal Bleeding". Kaohsiung J. Med. Sci. May 2006, 22; 223-228.
5. Virtanen et al., "Higher concentrations of serum transferrin receptor in children than in adults", Am. J. Clin. Nutr. 1999; 69: 256-60.

SYMBOLS FOR IVD COMPONENTS AND REAGENTS/SÍMBOLOS PARA REACTIVOS Y PRODUCTOS PARA DIAGNÓSTICO IN VITRO

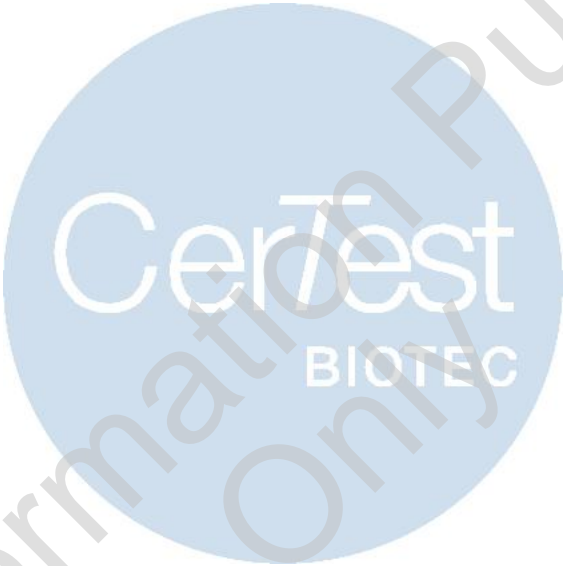
IVD In vitro diagnostic device Producto para diagnóstico in vitro	Keep dry Almacenar en lugar seco	Use by Fecha de caducidad	Manufacturer Fabricante	LOT Batch code Número de lote
Consult instructions for use Consultar las instrucciones de uso	Temperature limitation Limitación de temperatura	Contains sufficient for <n> test Contiene <n> test	DIL Sample diluent Diluyente de muestra	REF Catalogue number Número de referencia



For Information Only Purposes



For Information Only Purposes



CerTest
BIOTEC S.L.

Pol. Industrial Río Gállego II, Calle J, Nº 1,
50840, San Mateo de Gállego, Zaragoza (SPAIN)
www.certest.es

